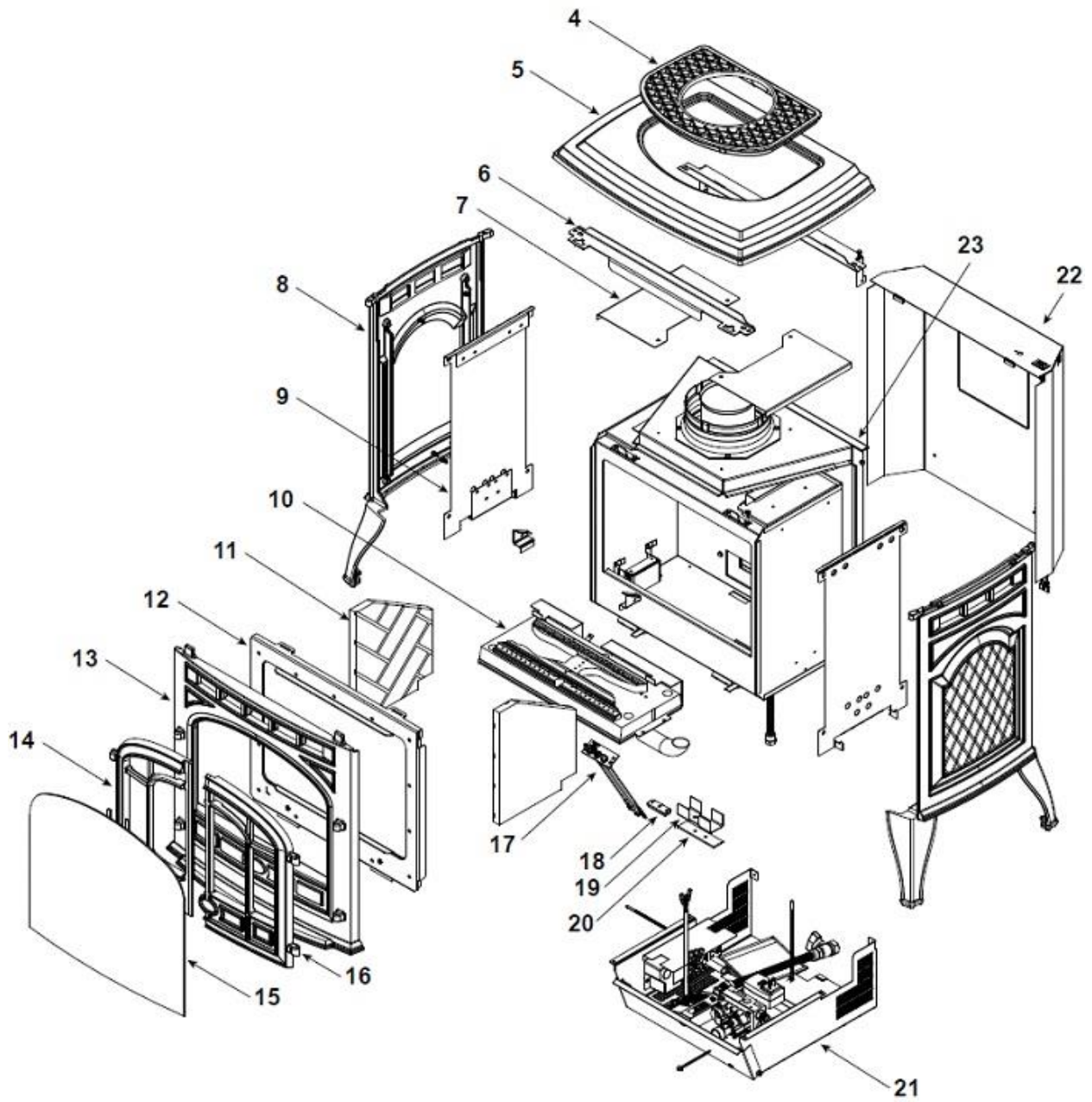


Quadra-Fire Sapphire

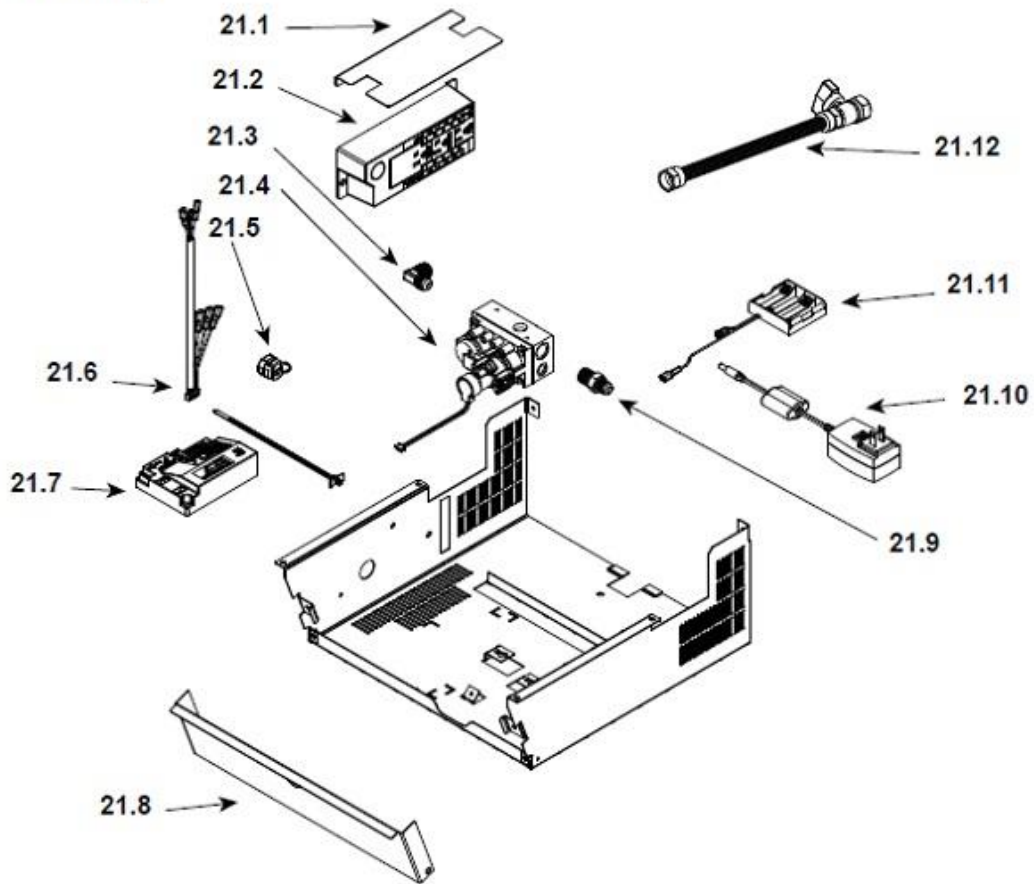
SAPH-MBK-IPI (Black), SAPH-D-PMH-IPI (Porcelain), SAPH-D-MBK-IPI (Black w/Doors), SAPH-D-CSB-IPI (Sienna)



Woodman's Parts Plus
www.woodmanspartsplus.com

ITEM	DESCRIPTION	COMMENTS:	PART NUMBER
	Log Set Assembly		LOGS-TS-IPI
1	Log 1		SRV2342-701
2	Log 2		SRV2342-702
3	Log 3		SRV2342-703
	SLP Stove Adaptor		SLP-SAM
4	Grill, Top Vent	Black	455-0370MBK
		Brown	455-0370PMH
		Sienna	455-0370CSB
5	Top	Black	SRV7055-101MBK
		Brown	SRV7055-101PMH
		Sienna	SRV7055-101CSB
6	Cast Retainer	Front	SRV7055-108
		Rear	2343-109
7	Upper Fan Shroud	Qty 2 req	2343-130
8	Side, Left or Right	Black	SRV7021-125MBK
		Brown	SRV7021-125PMH
		Sienna	SRV7021-125CSB
9	Side Heat Shield	Qty 2 req	2343-108
10	Conversion Kit w/Burner Assembly, NG	Sold as Set Only	NGKI-TIARAI
	Conversion Kit w/Burner Assembly, LP	Sold as Set Only	LPKI-TIARAI
11	Brick Set		BRICK-TS
12	Glass Frame Assembly		GLA2342-019
13	Front, Soltaire	Black	SRV7055-123MBK
	Front, Cabinet Style	Black	SRV7055-103MBK
		Brown	SRV7055-103PMH
		Sienna	SRV7055-103CSB
14	Door Left	Black	SRV7055-107MBK
		Brown	SRV7055-107PMH
		Sienna	SRV7055-107CSB
15	Screen, Sapphire		7055-020
16	Door Right	Black	SRV7055-105MBK
		Brown	SRV7055-105PMH
		Sienna	SRV7055-105CSB
17	Pilot Assembly, NG		2090-012
	Pilot Assembly, LP		2090-013
18	3-Hole Grommet		2118-420
19	Air Shutter		2342-154
20	Gasket , Air Shutter		2342-159

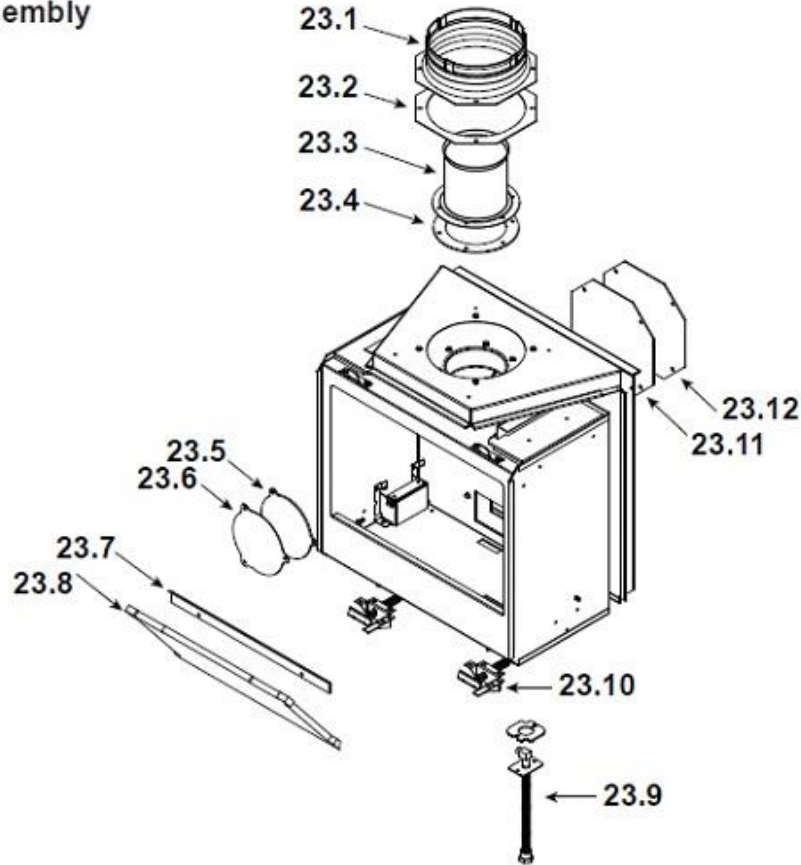
#21 Valve Assembly



ITEM	DESCRIPTION	COMMENTS:	PART NUMBER
21.1	Heat Shield, J-box		2342-132
21.2	Junction Box		4021-013
21.3	Elbow, 3/8" OD Flare x 3/8" NPT		4021-045
21.4	Valve, IPI	NG	2166-302
		LP	2166-303
21.5	Cord Clamp		3-20-12402
21.6	Wire Harness		2166-304
21.7	Module		2166-338
21.8	Access Door		2342-112
21.9	Male Connector	Pkg of 5	303-315/5
21.10	Transformer, 6V		2326-131
21.11	Battery Pack		2166-323
21.12	Ball Valve Assembly, 24"		3-40-2098034
	Blower Cord		832-2410

ITEM	DESCRIPTION	COMMENTS	PART NUMBER
22	Back Shroud		2343-129
	On/Off Rocker Switch		060-511
	Wire Assembly		3-20-2159315

#23 Firebox Assembly



23.1	Starting Collar		2189-002
23.2	Gasket, Adaptor		460-0610
23.3	Flue Assembly		2340-025
23.4	Gasket, Spacer		2340-203
23.5	Gasket, Flue Cover		2340-135
23.6	Flue Cover		2340-134
23.7	Lower Baffle Support		2342-121
23.8	Baffle		2342-146
23.9	Bulkhead		7000-156
23.10	Glass Clip Assembly	Pkg of 2	33858/2
23.11	Cover Plate Gasket		7010-160
23.12	Cover Plate		7010-159

Woodman's Parts Plus
www.woodmanspartsplus.com

ITEM	DESCRIPTION	COMMENTS	PART NUMBER
	Blower Assembly (Optional)		GFK-160A
	Upper Refractory Bracket	Qty 2 req	2342-122
	Grill, Rear Vent		RV-SAPH-IPI
	Orifice NG (#46C)		582-846
	Orifice LP (#55C)		582-855
	Hinge Pins Gold	Pkg of 2	844-5750
	Hinge Pins Nickel	Pkg of 2	1-00-4331590
	Knob, Brass, .75, LP	Pre 0081075339	456-0080
	Knob, Brass, .75, NG	Pre 0081050651	
	Knob, Satin Nickel, .75, LP	Pre 0081075339	3-43-4560080-9
	Knob, Satin Nickel, .75, NG	Pre 0081050651	
	Magnet, Round		SRV7000-140
	Mineral Wool		050-721
	Touch-Up Paint, Black, NG IPI	Pre 0081050001	812-0910
		Post 0081050001	3-42-19905
	Touch-Up Paint, Black, LP IPI	Pre 0081050001	812-0910
		Post 0081050001	3-42-19905
	Touch-Up Paint	Brown	210-0710
		Espresso	Touchup-CES
	RC100 (Wall Control)		RC100-QDF
	RC200 (Remote Control)		RC200-QDF
	RC300 (Remoted Control)		RC300-QDF
	Orifice, NG, (42C)		582-842
	Orifice, LP, (54C)		582-854
	Conversion Kit NG		NGKI-TIARAI
	Conversion Kit LP		LPKI-TIARAI
	Pilot Orifice NG		593-528
	Pilot Orifice LP		593-527
	Regulator NG		NGK-DXV-50
	Regulator LP		LPK-DXV-50